



VDP-U-MD24450-56-P

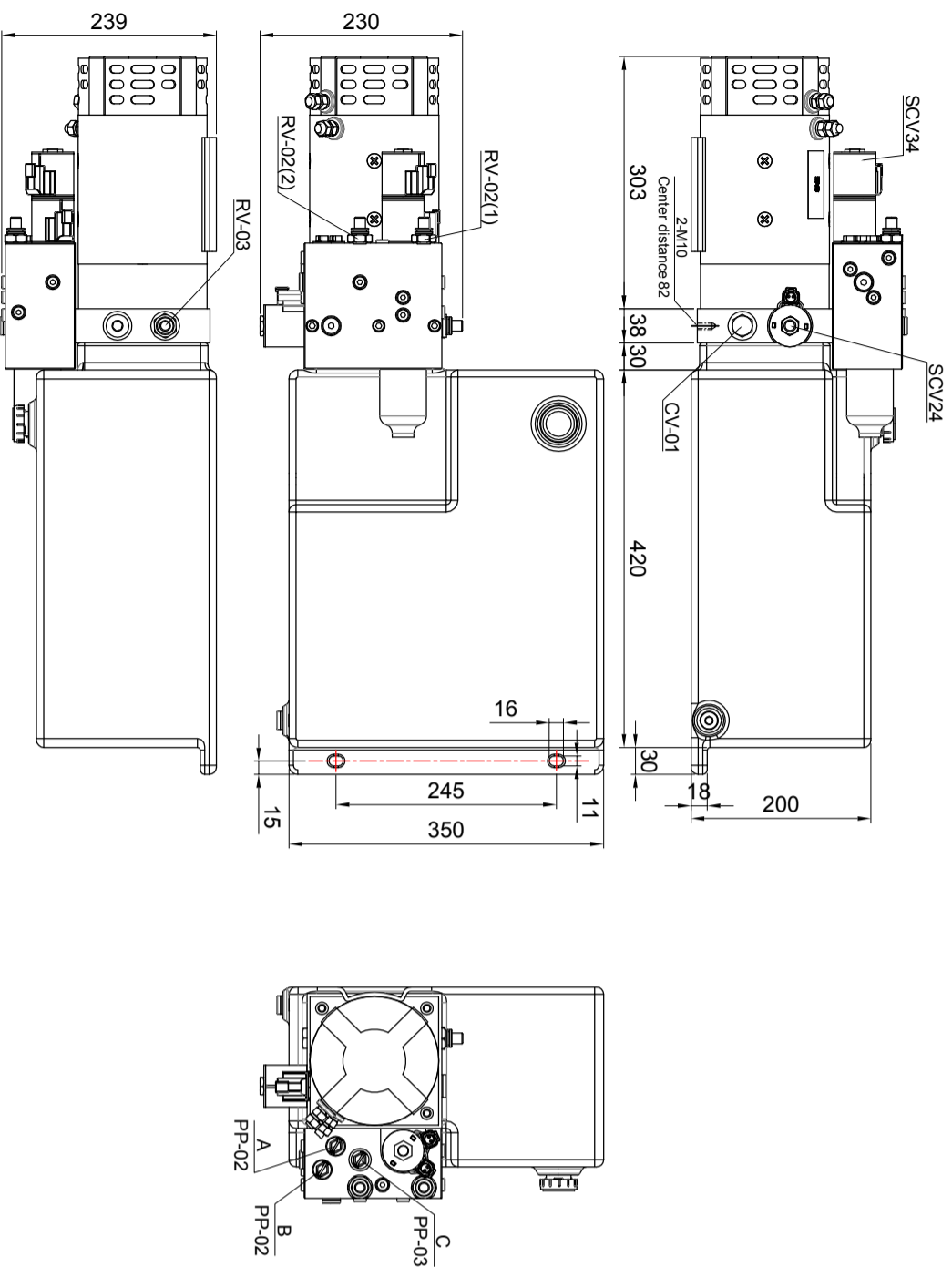
This integrated DC power unit is a compact hydraulic system designed for the electric drive fork scissor platform, which is more concise in design, faster in system response and more convenient in installation .

Technical Attributes

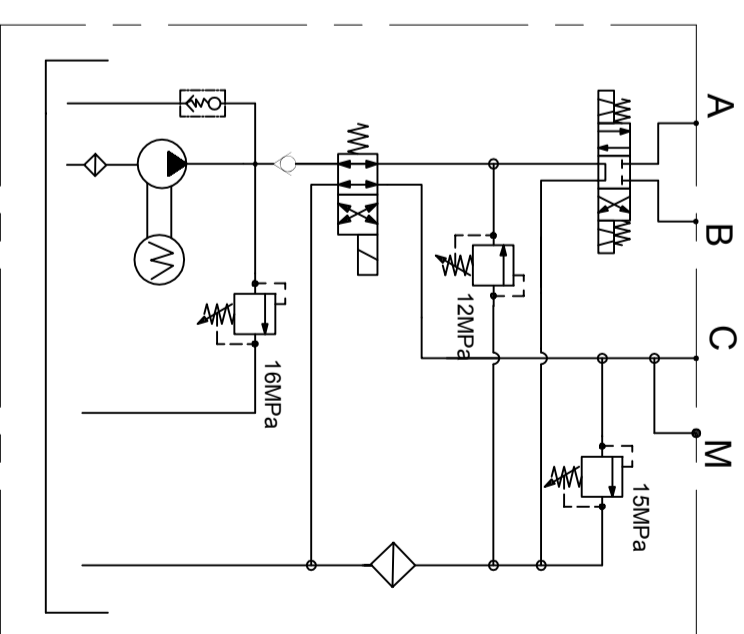
| | |
|-----------------|--------------------|
| Model Code | VDP-U-MD24450-56-P |
| Motor Voltage | 24V |
| Motor Power | 4.5kW |
| Rated Speed | 2700rpm |
| Pump Capacity | 5.3mL/r |
| System Pressure | 16MPa |
| Tank Capacity | 24L |
| Oil Port | G1/4", G3/8" |



Outline Dimensions



Hydraulic Schematic Diagram



Characteristic curve

