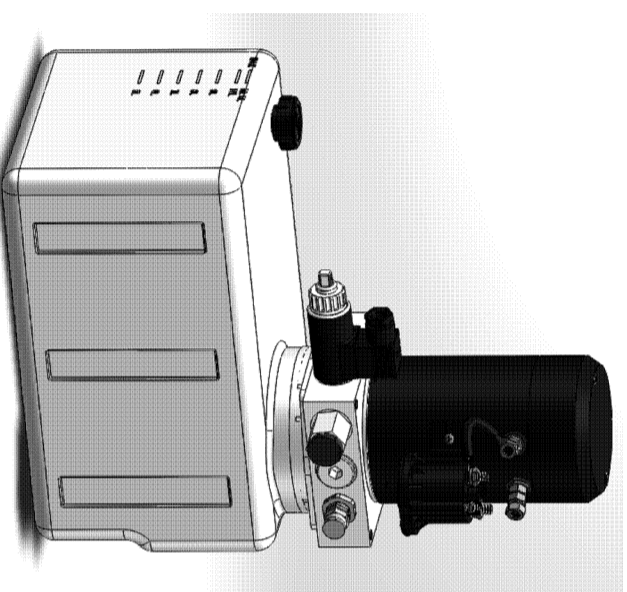




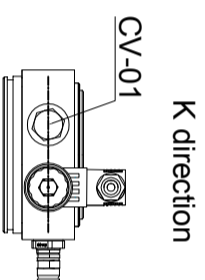
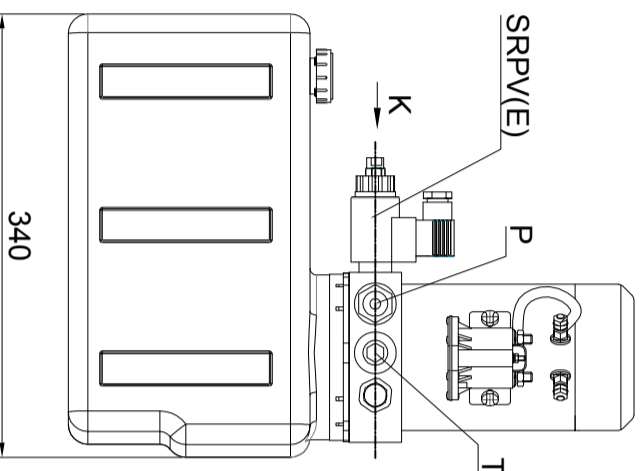
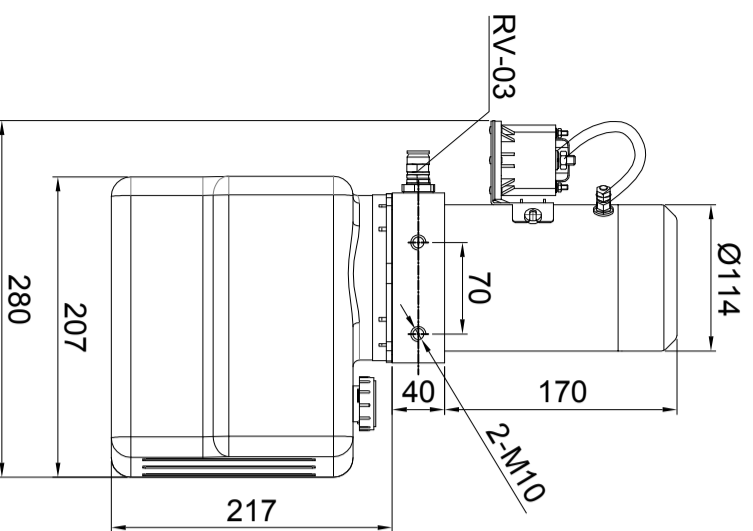
VDP-U-MD24220-27A-P

Technical Attributes

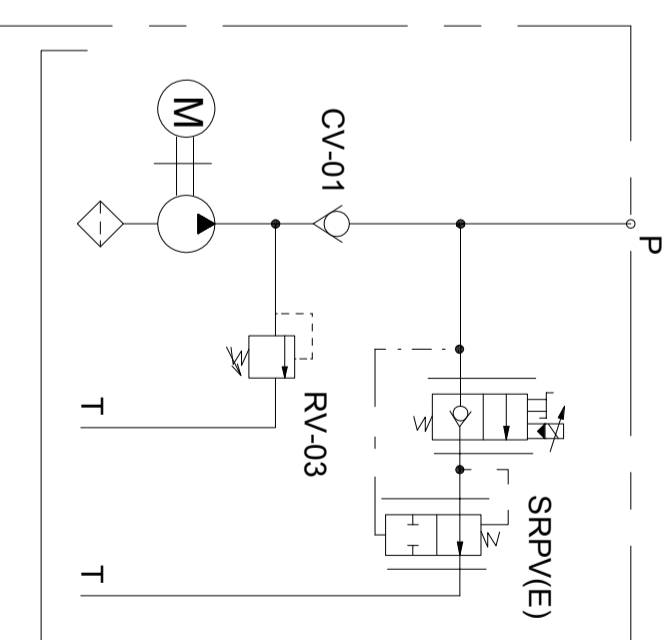
| | |
|-----------------|---------------------|
| Model Code | VDP-U-MD24220-27A-P |
| Motor Voltage | 24V |
| Motor Power | 2.2kW |
| Rated Speed | 2800rpm |
| Pump Capacity | 2.0mL/r |
| System Pressure | 18MPa |
| Tank Capacity | 10.5L |
| Oil Port | G1/2" |



Outline Dimensions



Hydraulic Schematic Diagram



Characteristic curve

