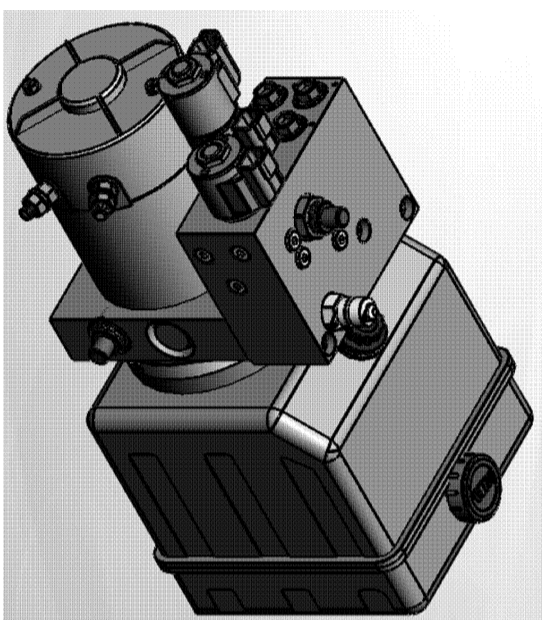




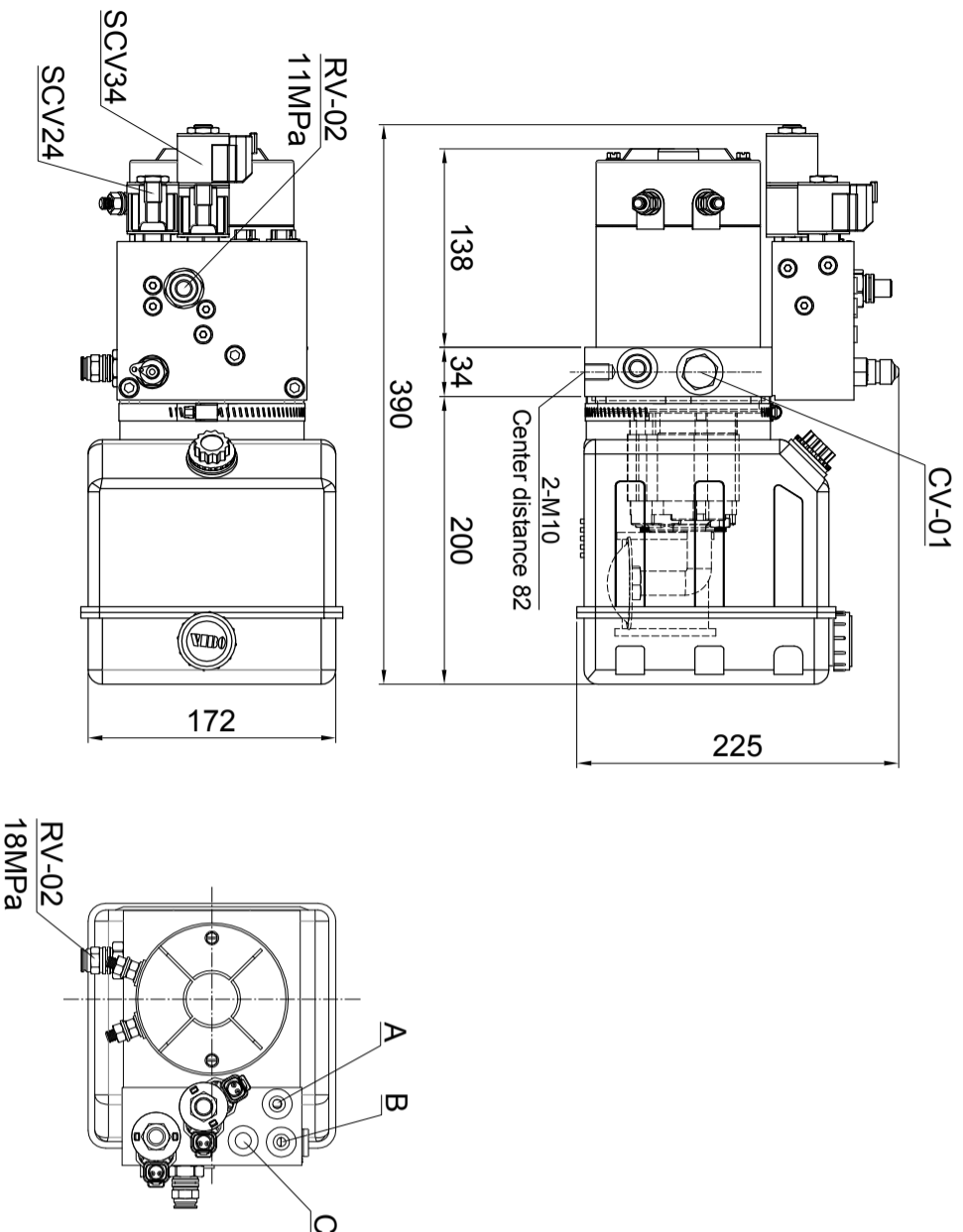
VDP-U-MD241301-56-P

Technical Attributes

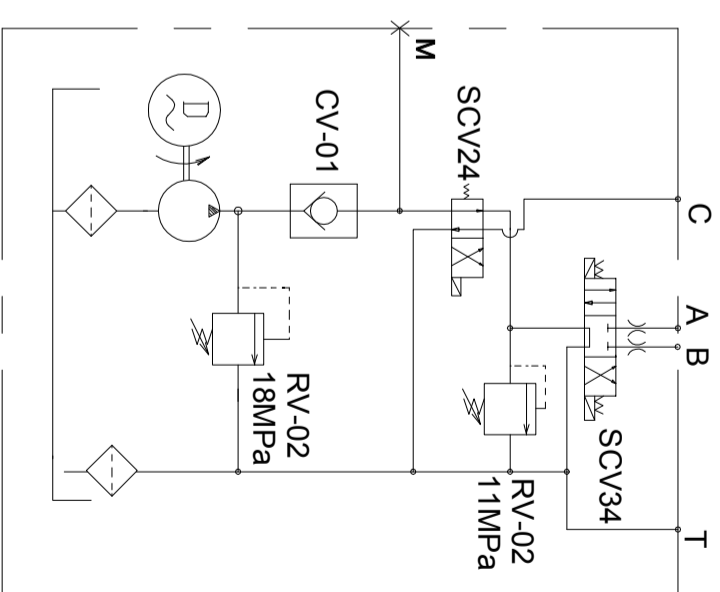
Model Code	VDP-U-MD241301-56-P
Motor Voltage	24V
Motor Power	1.3KW
Rated Speed	4500rpm
Pump Capacity	1.3mL/r
System Pressure	18MPa
Tank Capacity	4L
Oil Port	G1/4 "



Outline Dimensions



Hydraulic Schematic Diagram



Characteristic curve

