

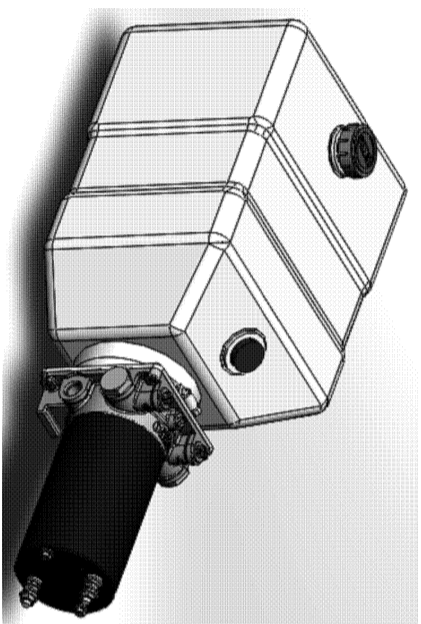


## VDP-U-MD12080-87-P

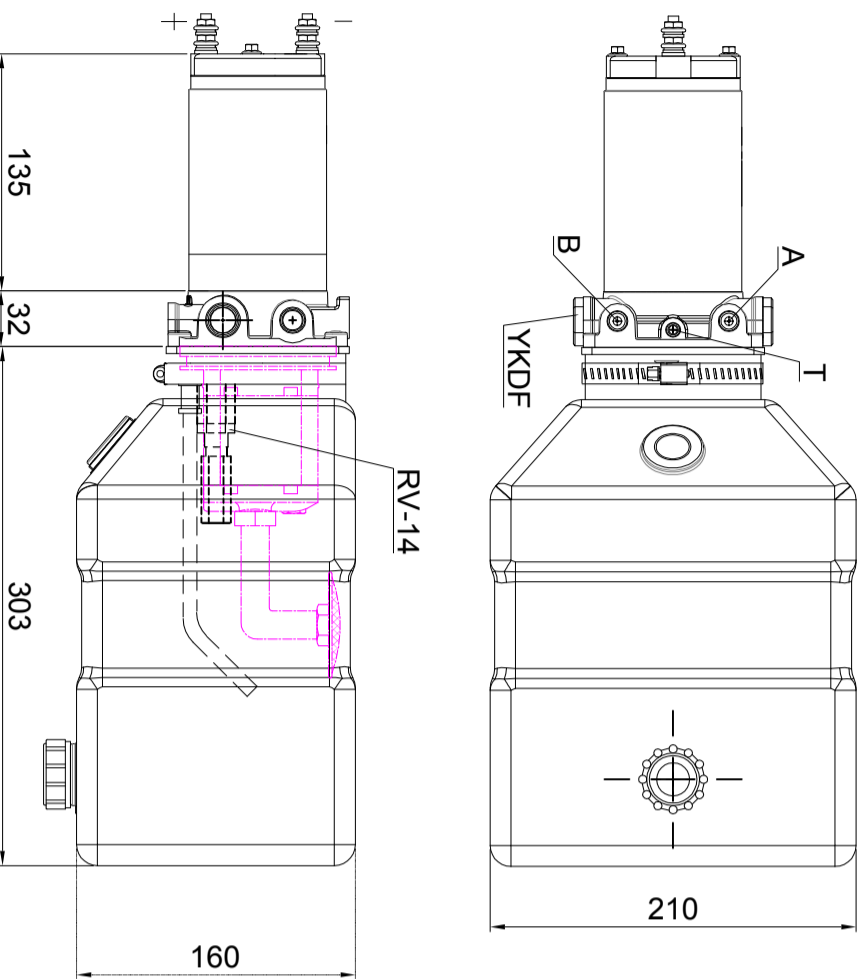
The hydraulic unit is used for the lifting and lowering of caravan feet, good stability, high integration, and has the automatic leveling function, this product is equipped with 12v small DC motor, to meet the needs of energy saving, at the same time, occupy a small space, integrated die-casting manifold, compact space and multiple functions.

### Technical Attributes

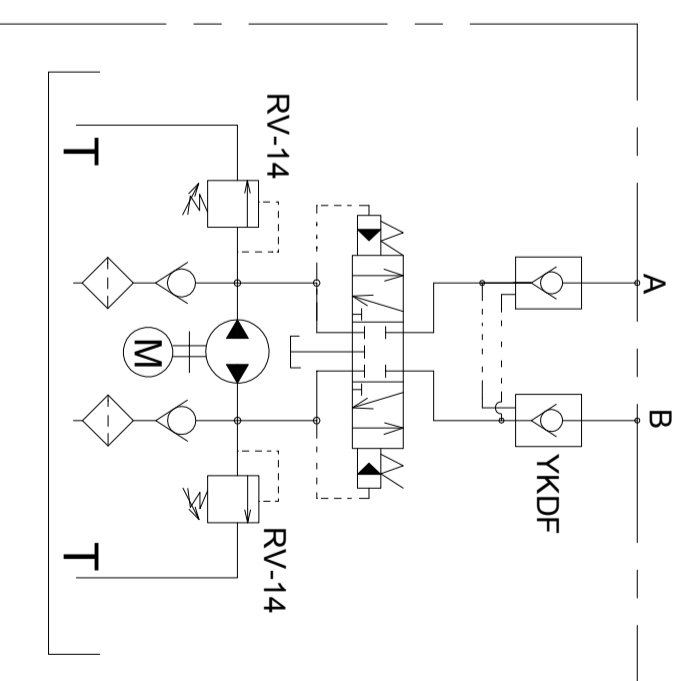
Model Code	VDP-U-MD12080-87-P
Motor Voltage	12V
Motor Power	0.8kW
Rated Speed	4000rpm
Pump Capacity	0.88mL/r
System Pressure	20MPa
Tank Capacity	7L
Oil Port	7/16-20UNF



### Outline Dimensions



### Hydraulic Schematic Diagram



### Characteristic curve

