

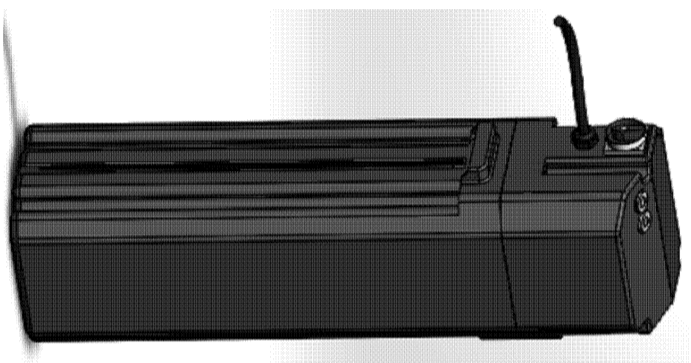


## VAPU-YJ380150-4-21-P

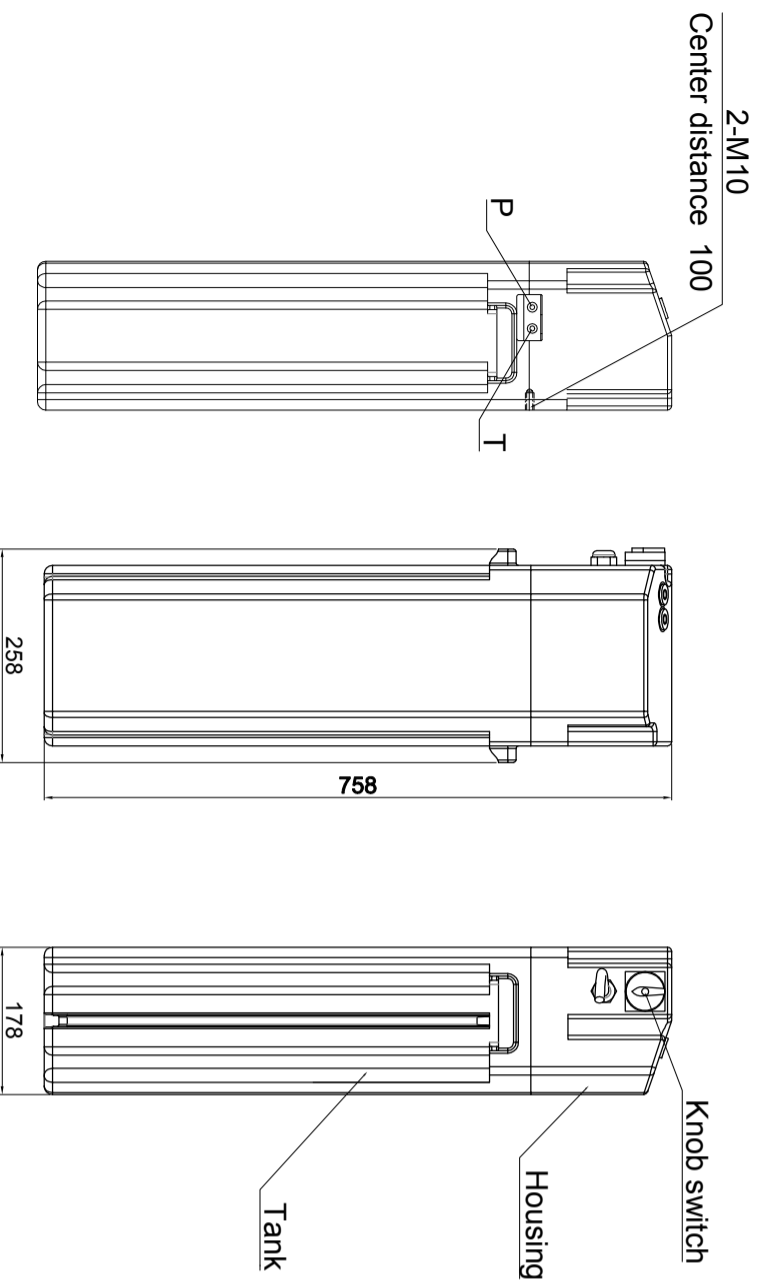
This power unit is mainly used in car lift. Our self-developed oil-immersed motor has strong power and equipped with our self-developed silent CBKL helical gear pump, almost no noise when running, really "provide strong power, create a quiet world". Customized plastic tank and housing, simple appearance, highly integrated electronic control system reasonably laid out in the tank housing, easy to use, high degree of automation.

### Technical Attributes

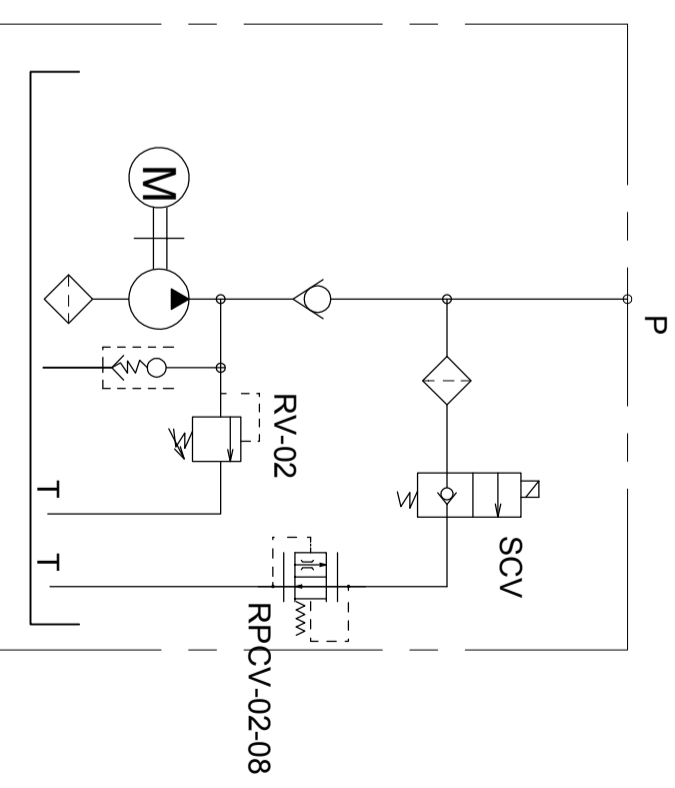
Model Code	VAPU-YJ380150-4-21-P
Motor Voltage	380V
Motor Power	1.5KW
Rated Speed	1420rpm
Pump Capacity	3.3mL/r
System Pressure	19MPa
Tank Capacity	16L
Oil Port	9/16"-18UNF



### Outline Dimensions



### Hydraulic Schematic Diagram



### Characteristic curve

